

## Glucose Oxidase BIOSENSOR

Type: AC1.GOD

### Description:

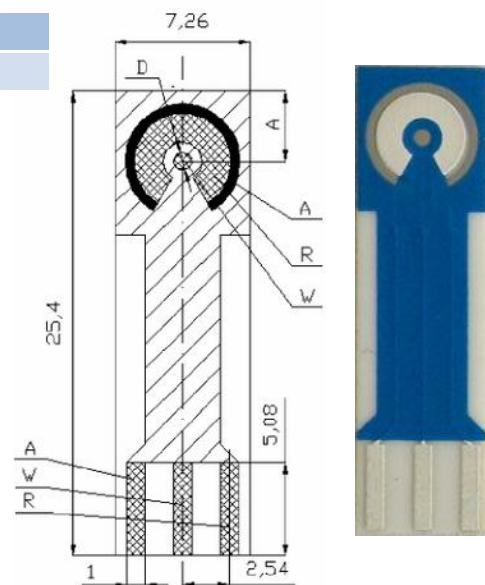
Glucose Oxidase (GOD) from *Aspergillus Niger* is immobilized on the active surface of a working electrode of amperometric substrate AC1.W2.RS. The diameter of the immobilized bioactive membrane is 2 mm and the mean applied activity is 1 unit/mm<sup>2</sup>.

### Psychical Parameters:

#### Dimensions:

Weight: 0.4 gms  
 Length: 25.40 mm  
 Width: 7.26 mm  
 Thickness: 0.63 mm

A	4.00 ± 0.05 mm
D	1.00 ± 0.05 mm



### Electrode Materials

are defined by:

**AC1.W2.RS**

W...Working electrode - pure platinum

R...Reference electrode - silver (Detailed description of sensor: datasheet AC1.W\*.R\*)

Enzymatic membrane containing cca 1 IU of GOD enzyme is immobilized on the working electrode surface.

### Unit definition Glucose Oxidase from *Aspergillus Niger*:

- GOD
- B-D-Glucose: oxygen 1-oxidoreductase
- Sigma - type X-S
- One unit will oxidize 1.0 μmole of B-D-glucose to D-gluconolactone and H<sub>2</sub>O<sub>2</sub> per min at pH = 5.1 at 35 °C, equivalent to an O<sub>2</sub> uptake of 22.4 μl per min.

### Connector types for AC1.AchE

#### sensor range

- KA1.\*
- KSA1.\*
- KA1P.\*

#### Evaluating Units:

- BA1.\*
- LA1.\*

### Experimental Accessories:

- Flow Cell (FC1.\*,FC2.\*)
- MFS (Micro Flow System) (MFS.\*)
- Peristaltic Pump (\*PP\*.)

- Thermostated Vessel (TC1.\*,TC2.\*)
- Thermostat (TK-1.\*)

### **Sensor Usage:**

Measurement of B-D-Glucose concentration

### **Software Packs:**

These are available for

- BTA software - PC program containing a specialized module for glucose concentration calculation

### **Expiration**

12 months at temperature 4 - 7 °C

### **Transport**

Sensors are delivered in thermoboxes keeping low temperature when ambient temperature when ambient temperature may exceed 40 degrees Celsius.

### **Ordering information:**

- The order reference: AC1.GOD
- Minimum order quantity - 25 sensors
- Orders in multiples of 25
- Delivery time for standard AC1.GOD sensors is 4 weeks from receipt of order
- Delivery time for non-standard AC1.GOD sensors depends on final technical specification of order
- AC1.AChE sensors are shipped by express delivery service with cool plate

### **Examples of Order:**

- 100 pieces - AC1.GOD

### **Electrochemical measurement of glucose using sensors with immobilized glucose oxidase enzyme - Calibration curve**

