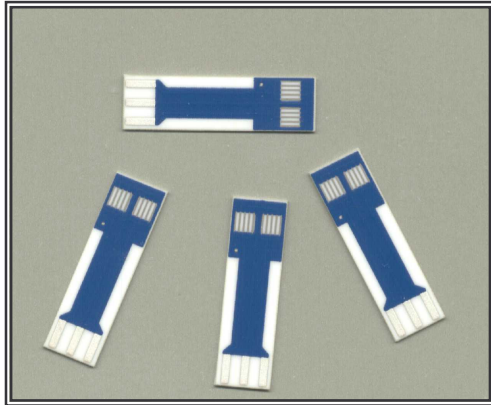


CONDUCTOMETRIC SENSOR SUBSTRATES

Type : CC2.W* (*)



Description

The sensor is formed on a corundum ceramic base. Onto this surface two interdigitated structures of electrodes are applied. The electrodes are made of Platinum-Gold alloy in standard product CC2.WS. At the end of the sensor there is a contact which is connected with the active part by the silver conducting path which is covered by a dielectric protection layer. A bio-chemically active substance is put on the electrodes, one interdigitated structure, the second structure is reference.

Physical Parameters

Dimensions		
Length	Width	Thickness
25.40 mm	7.26 mm	0.63 mm

Weight = 0.4 gms

A = $4,00 \pm 0,05$ mm

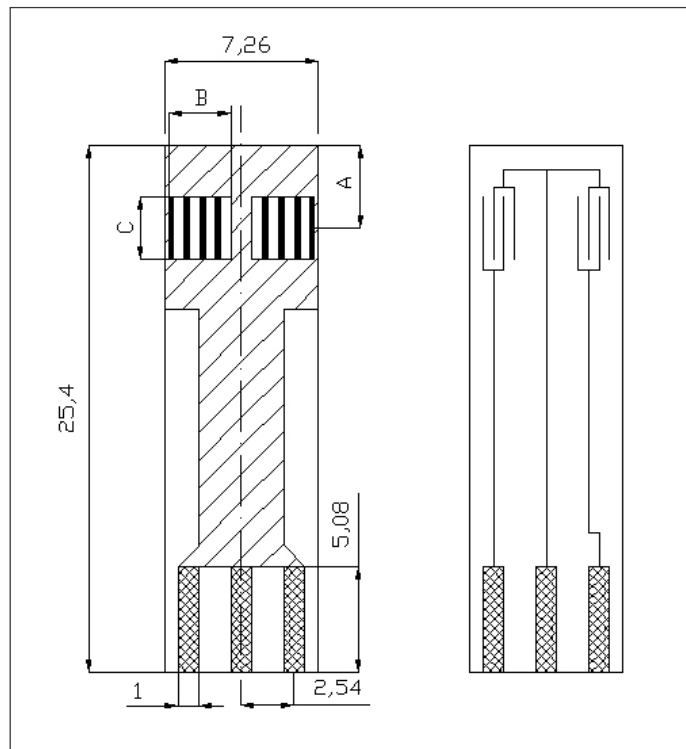
B = $3,00 \pm 0,05$ mm

C = $3,00 \pm 0,05$ mm

Electrode Materials

Electrode materials are defined by:

CC2.W* (*)



The asterisk is replaced by the appropriate number or letter.

- C** - Conductometric sensor
- C** - Corundum ceramic base
- 2** - Sensor group reference number
- W** - Working electrode material
 - S** - Alloy of Gold and Platinum
 - 1** - Pure Gold
 - 2** - Pure Platinum
 - 3** - Pure Silver
 - 4** - Graphite 1 (7101)
 - 5** - Graphite 2 (7105)

- (*)** - Additional technical specification
- S** - Sealing
- H** - Heating of the sensor
- T** - Temperature sensing element

Connector Types for CC2 Sensor Range

	KA1	KA3	KA4	KA5
CC2.W*.	•		•	
CC2.W*. (S)		•		•
CC2.W*. (H)			•	
CC2.W*. (T)			•	
CC2.W*. (H, T)			•	
CC2.W*. (S, H)				•
CC2.W*. (S, T)				•
CC2.W*. (S, H, T)				•

Optional Equipment

Evaluating Units:

- CA1 – ASIC for precise conductivity measurement (in development)

Experimental Accessories:

- Peristaltic Pump
- Stand
- Thermostated Vessel

Sensor Usage

This specific range of CC2 sensors enables the measurement of:

- Basic electrochemical and bio-electrochemical techniques
- Conductivity analysis
- Diferencial conductivity analysis

Software Packs

These are available for:

- Bipolar current pulse measurement

Related patents

CZ-PV 2001-3227

Ordering Information

- The order is specified by whole sensor description formula
- Minimum order quantity – 25 sensors
- All order quantities are to be in multiples of 25 e.g. 25, 50, 75, etc.
- Delivery time for standard CC2 sensors is 4 weeks from receipt of order
- Delivery time for non-standard CC2 sensors depends on final technical specification of order

Example of Order:

- 100 pieces – CC2.W2

Standard stock program is black, products available on special order are on shadowed background.

The explicit list of materials used for electrode preparation

Type of Sensor	Electrode Material	Conducting Paths
	Working	
CC2.WS	PtAu (15 / 85%)	Ag
CC2.W1	AuPd (98 / 2%)	Ag
CC2.W2	Pt (100%)	Ag
CC2.W3	AgPd (98 / 2%)	Ag
CC2.W4	C (7101)	Ag
CC2.W5	C (7105)	Ag