

SMALL CONNECTOR FOR ELECTROCHEMICAL SENSORS TYPE AC1, AC4, AC11, AP1, CC1, CC2, TS1

Type: KA1s.*

Description:

The connector enables the use of the biosensor based on the substrates AC1, AC4, AC11, AP1, CC1, CC2 and TS1 in classical electrochemical arrangement with stirred vessel. The cell TC1 is recommended for use with KA1s.*.



Physical Parameters:

Dimensions:

Weight: 35 gms
 Length: 6 mm
 Width: 8 mm

Types of termination

Model	Cable	Termination
KA1s.S	Three core Shielded cable	Single conductors
KA1s.1	Three core Shielded cable	Banana plugs
KA1s.2	Three core Shielded cable	7 poles BVT connector
KA1s.3	Three core Shielded cable	Triad01 Palminstruments
KA1s.4	Three core Shielded cable	BNC connectors



Recommended Vessel

- TC1

Example of Order

- 5 pieces - KA1s.S

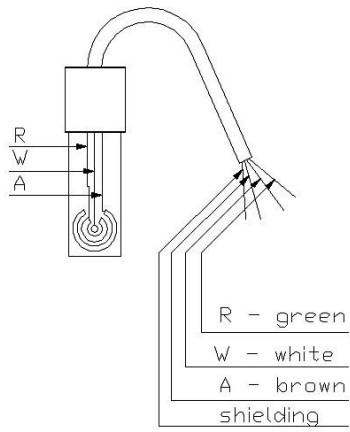
Ordering Information

- The order is specified by whole product code
- Minimum order quantity - 1 connector
- Delivery time for standard KA1 connector is 4 weeks from receipt of order
- Delivery time for non-standard KA1s connector depends on final technical specification of order

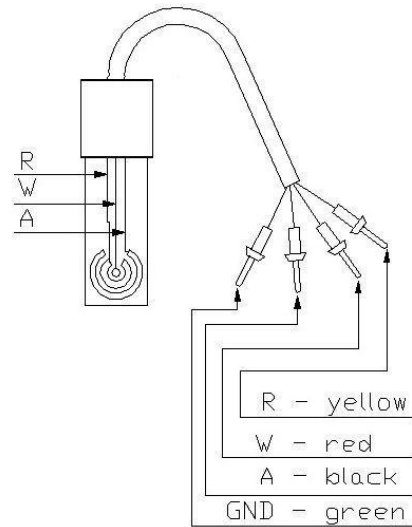
Evaluating Units

KA1.S	any device
KA1.1	any device
KA1.2	BA1, BA2
KA1.3	PalmSens PalmInstruments
KA1.4	eDAQ

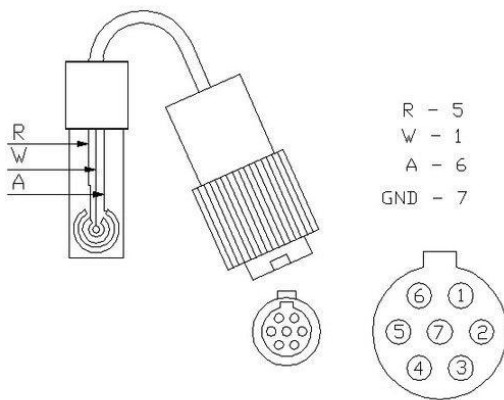
Internal Wiring



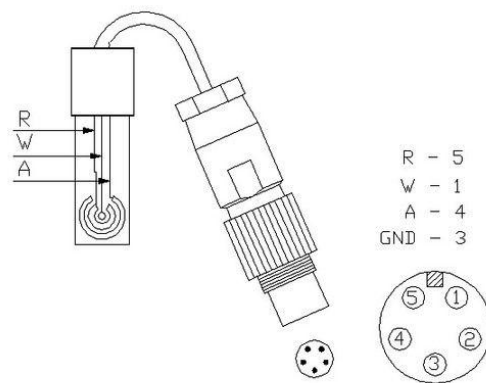
KA1s.S



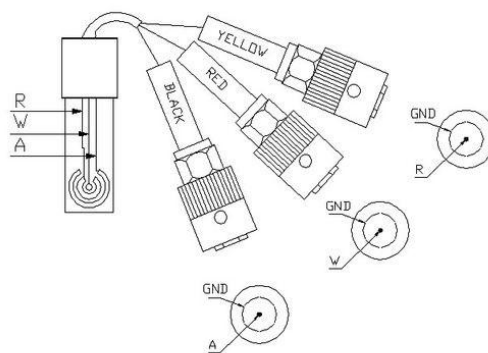
KA1s.1



KA1s.2



KA1s.3



KA1s.4