

## CONNECTORS FOR SUBSTRATES TYPE

### AC2

Type : KA2.\*



#### Description

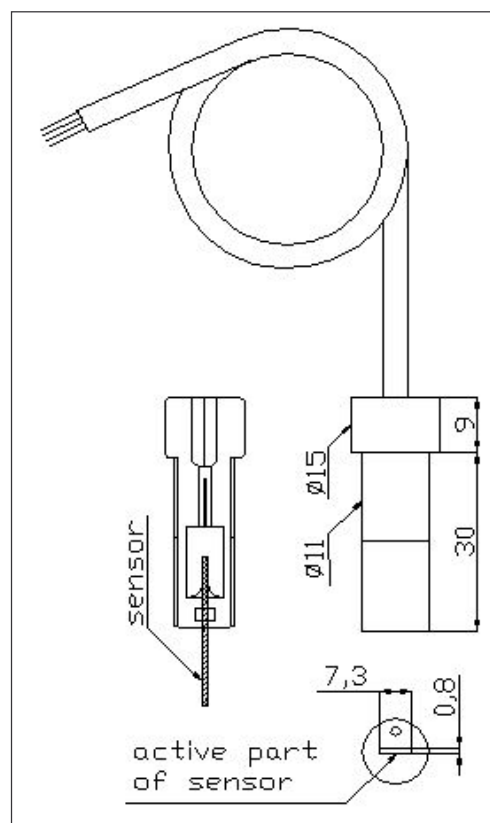
The connector enables the use of the biosensor based on the substrates AC2 in classical electrochemical arrangement with stirred vessel. The cell TC1 is recommended for use with KA2.\*

#### Physical Parameters

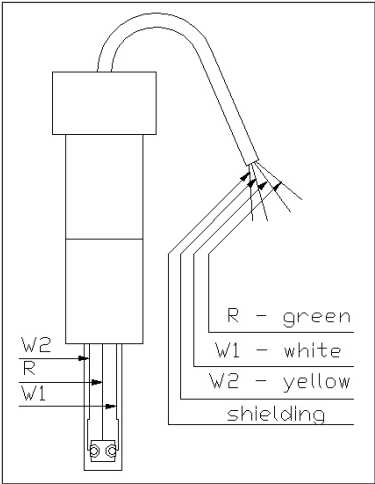
Model	Weight	Dimensions	
		Length	Diameter
Common to all connector models	35 gms	40 mm	11 mm

#### Types of termination

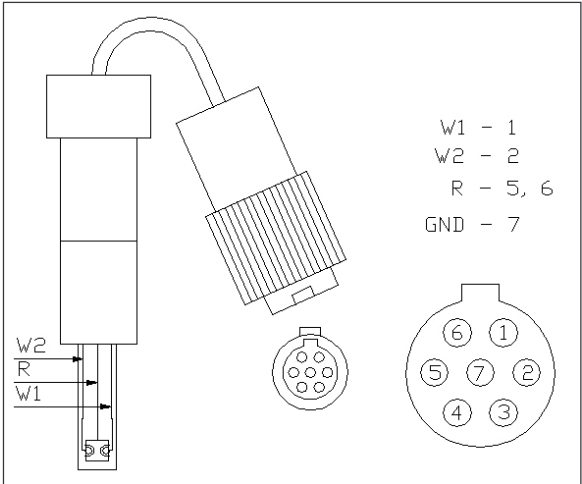
Model	Cable	Termination
KA2.S	Three core Shielded cable	Single conductors
KA2.1	Three core Shielded cable	Banana plugs
KA2.2	Three core Shielded cable	7 poles BVT connector
KA2.3	Three core Shielded cable	Triad01 Palminstruments
KA2.4	Three core Shielded cable	BNC connectors



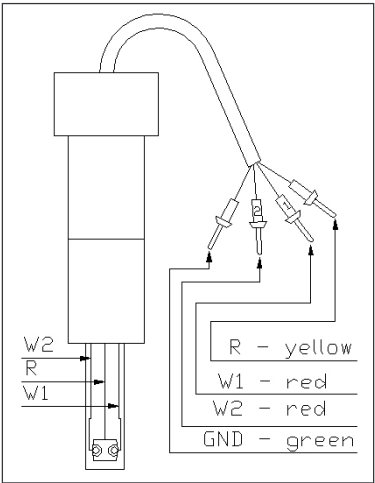
# Internal Wiring



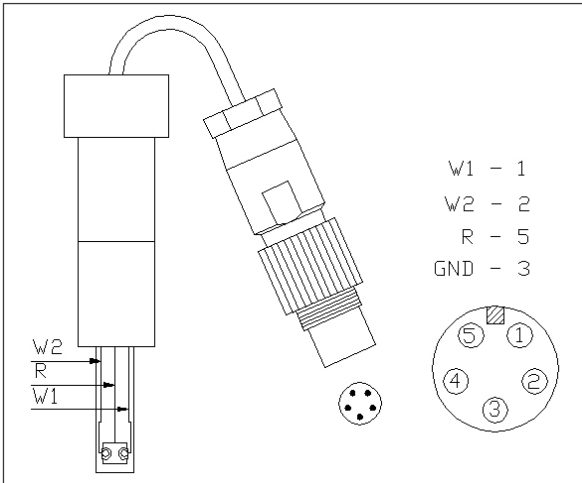
KA2.S



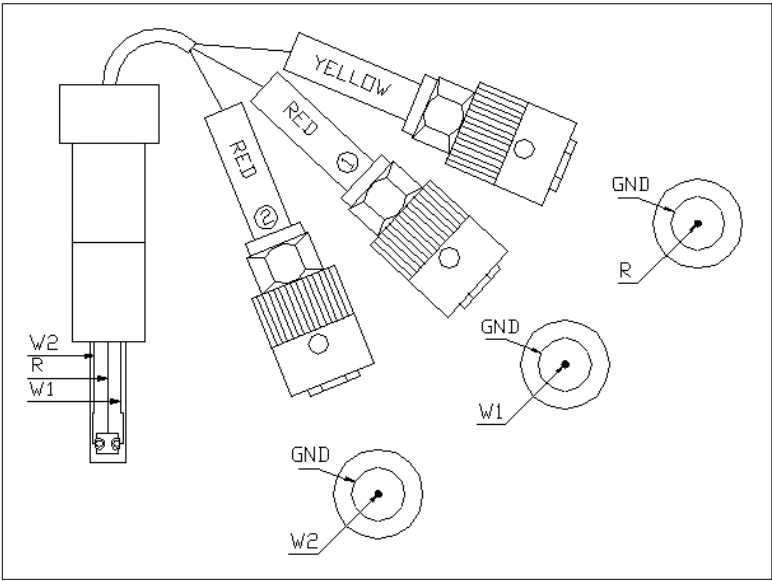
KA2.2



KA2.1



KA2.3



KA2.4

## Evaluating Units

KA2.S	any device
KA2.1	any device
KA2.2	BA1, BA2
KA2.3	palmsens palminstruments
KA2.4	eDAQ

## Recommended Vessel

- TC1

## Ordering Information

- The order is specified by whole product code
- Minimum order quantity – 1 connector
- Delivery time for standard KA2 connector is 4 weeks from receipt of order
- Delivery time for non-standard KA2 connector depends on final technical specification of order

Example of Order:

- 5 pieces – KA2.S