

## LINEAR PUMP

Type: LP

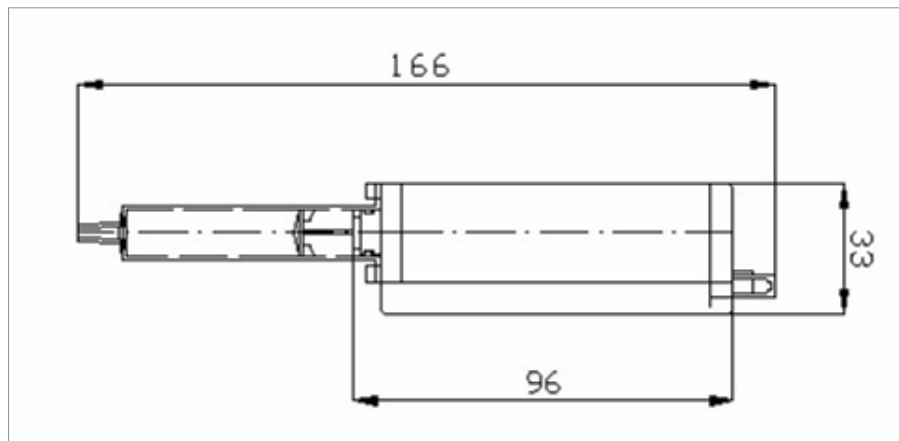
### Description:

The linear pump LP serves for slow dosing of liquids, flow rates: 0 - 250  $\mu\text{l}/\text{min}$ . It consists of miniature motor with digital encoder and planetary gear, which is in alluminium body of pump. The motor drives the screw which moves the piston in syringe in both directions. The pump is designed for applications where size matters. It can be used in hand-held devices. The main advantages are **no pulzation** (that is usual for peristaltic pumps) and easy connection with syringe. The pump can operate with flow cell FC2. Linear Pump is delivered with electronic unit allowing connection to computer via USB cable, software and spare syringes.

### Physical Parameters:

#### *Dimensions:*

Length: 166 mm  
Width: 25 mm  
Height: 33 mm  
Weight: 212 gms  
Syringe volume: 5 ml



**Optional equipment:**

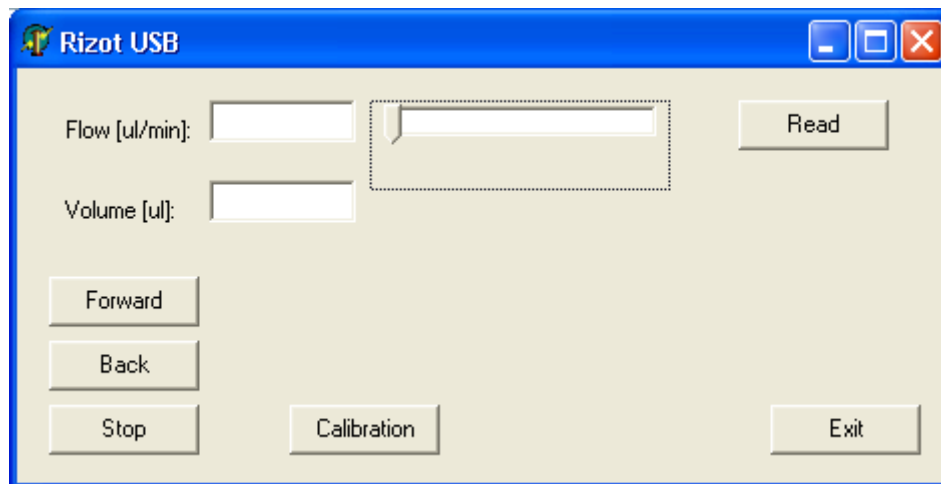
- FC2
- FC3

**Pump Usage:**

- Small volumes of liquids dosing, flow rates: 0 - 250 µl/min
- Portable device
- Hand-held device
- Low power application

**Software Packs**

- Control software RizotUSB is included in the delivery



**Ordering Information:**

- Minimum order quantity - 1 linear pump
- Delivery time is 7-9 weeks from receipt of order
- Delivery time of non-standard LP depends on final technical specification of order

**Example of Order:**

- 10 pieces - LP