

MINIATURE OXYGEN ELECTRODE

Type: OE1.DX.*



Description:

The miniature Oxygen electrode consists of a stainless steel body, platinum electrode, silver reference electrode and membrane holder. The platinum electrode is melted in glass. The membrane holder with electrolyte is attached by thread.

Physical Parameters:

Dimensions:

Length: 45 mm
 Diameter: 12 mm
 Weight: 50 gms

Experimental Accessories:

- Electrochemical cell TC1, TC4 (possibly thermostated)

Software Packs

These are available for:

- Basic evaluation and monitoring of Oxygen

Electrode Usage

- Measurement of Oxygen
- Enzyme electrode based on consumption of Oxygen

Evaluating Units

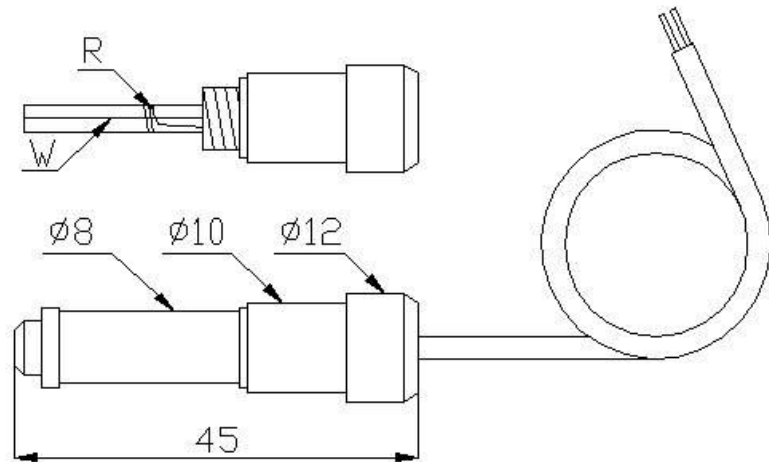
- BA1.*

Ordering Information

- The order is specified by whole product code
- Minimum order quantity - 1 miniature Oxygen electrode
- Delivery time for standard OE1 miniature Oxygen electrode is 4 weeks from receipt of order
- Delivery time for non-standard OE1 miniature Oxygen electrode depends on final technical specification of order

Example of Order

- 20 pieces - OE1.D1.1

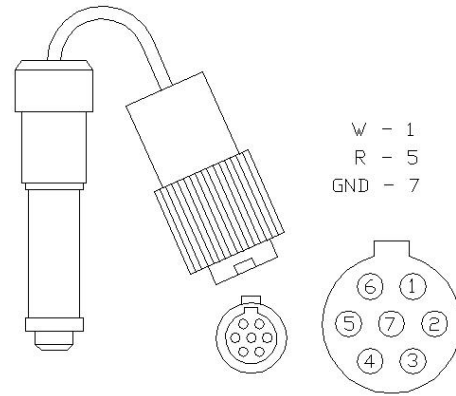
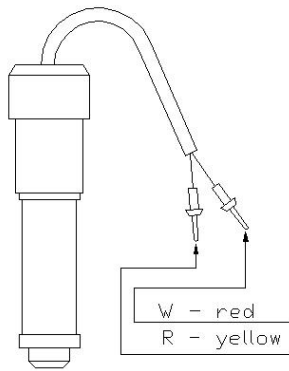


Ordering formula:

OE1.DX.*

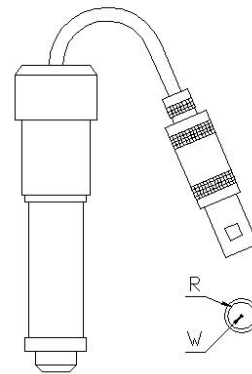
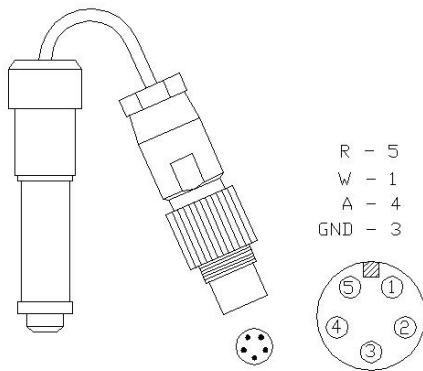
- X = 1 - platinum wire, Φ 100 μ m
- X = 2 - platinum wire, Φ 600 μ m
- X = 3 - platinum wire, Φ 1000 μ m
- X = 4 - golden wire, Φ 20 μ m

Internal Wiring



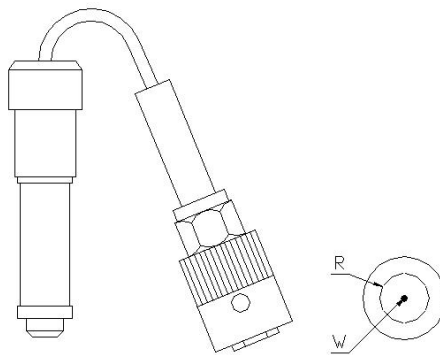
OE1.DX.1

OE1.DX.2



OE1.DX.3

OE1.DX.6



OE1.DX.7