

HIGH QUALITY SURFACE ELECTROCHEMICAL SENSOR

Type: AC1P.W*.R*

Description

The sensor is formed on a corundum ceramic base. On to this surface the working, the reference and the auxiliary electrodes are applied. Working electrode has homogenous surface with roughness less than 1 μm . The working and the auxiliary electrodes are made of variety of materials. At the end of the sensor there is a contacting field which is connected with the active part by the silver conducting paths which are covered by a dielectric protection layer. A bio-chemically active substance can be immobilised on the working electrode of the sensor to create a biosensor.

Physical parameters

Dimensions:

Weight: 0.4 gms
 Length: 25.40 mm
 Width: 7.26 mm
 Thickness: 0.63 mm

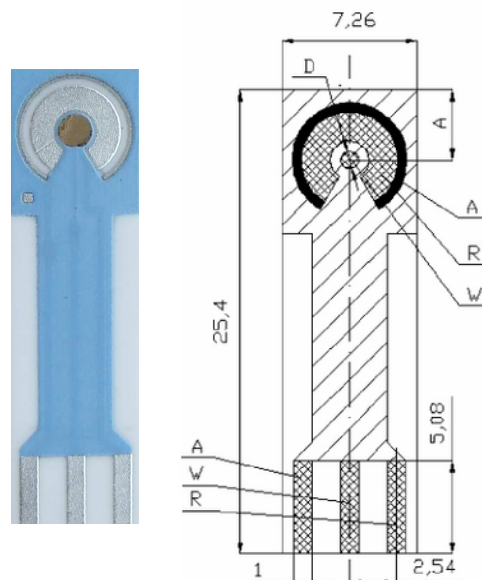
A = 4.00 ± 0.05 mm

D = 1.00 ± 0.05 mm

Electrode Materials are defined by:

AC1P.W*.R*

The asterisk is replaced by the appropriate number or letter.



A - Amperometric sensor or electrode	W - Working electrode material
C - Corundum ceramic base	1 - Pure Gold
1 - Sensor group reference number	R - Reference electrode material
P - Polished working electrode	S - Silver
	2 - Silver covered by AgCl

Connector types for AC1P sensors range

	KA1	KA1C	KA1s	KA4
AC1P.W*.R*	✓	✓	✓	✓

Sensor Usage

This specific range of AC1P sensors enable the measurement of:

- Basic electrochemical and bio-electrochemical techniques
- H₂O₂ concentration, Glucose, Ferricyanide
- Trace analysis (e.g. stripping voltammetry)
- Toxicity caused by pesticides
- Enzyme activity
- Enzyme activity and Michaelis Menten constant
- Immobilization of antibodies
- Preparation of nanostructures

Software Packs

These are available for:

- Basic evaluation
- Measurement of enzyme activity and Michaelis Menten constant X

Related patents

- PV 1994-864 (13.04.1994) utility design no. 6113/94

Ordering information

- The order is specified by whole sensor description formula
- Minimum order quantity - 5 sensors
- All order quantities are to be in multiples of 5 e.g. 5, 10, 15, etc.
- Delivery time for standard AC1P sensors is 4 weeks from receipt of order
- Delivery time for non-standard AC1P sensors depends on final technical specification of order

Examples of Order

- 100 pieces - AC1P.W1.RS
- 250 pieces - AC1P.W1.RS