

ELECTROCHEMICAL SENSOR

Type: AC4.W*

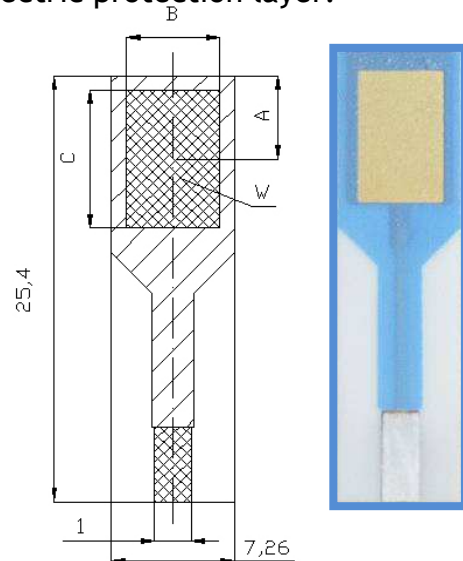
Description

The sensor is formed on a corundum ceramic base. On to this surface working electrode is applied. The working electrode is made of variety of materials. At the end of the sensor there is a contact which is connected with the active part by the silver conducting path which is covered by a dielectric protection layer.

Physical parameters

Weight: 0.6 gms
 Length: 25.40 mm
 Width: 7.26 mm
 Thickness: 0.63 mm

A = 5.20 ± 0.05 mm
 B = 4.60 ± 0.05 mm
 C = 7.30 ± 0.05 mm



Electrode Materials are defined by:
 AC4.W*

The asterisk is replaced by the appropriate number or letter.

A - Amperometric sensor or electrode	1 - Pure Gold
C - Corundum ceramic base	2 - Pure Platinum
4 - Sensor group reference number	3 - Pure Silver
W - Working electrode material	4 - Graphite
S - Alloy of Gold and Platinum	

Connector types for AC4 sensors range

	KA1	KA1C	KA1s	KA4
AC4.W*	✓	✓	✓	✓

Sensor Usage

This specific range of AC4 sensors enables the measurement of:

- Auxiliary electrode

- Working electrode with extremely big surface

Evaluating Units

- Any polarographic analyzer

Examples of Order

- 100 pieces - AC4.W2

Ordering information

- The order is specified by whole sensor description formula
- Minimum order quantity - 20 sensors
- All order quantities are to be in multiples of 20 e.g. 20, 40, 80, etc.
- Delivery time for standard AC4 sensors is 4 weeks from receipt of order
- Delivery time for non-standard AC4 sensors depends on final technical specification of order

Examples of Order

- 100 pieces - AC4.W2