

CONDUCTOMETRIC SENSOR SUBSTRATES

Type: CC2.W* (*)

Description

The sensor is formed on a corundum ceramic base. Onto this surface two interdigitated structures of electrodes are applied. The electrodes are made of Platinum-Gold alloy in standard product CC2.WS. At the end of the sensor there is a contact which is connected with the active part by the silver conducting path which is covered by a dielectric protection layer. A bio-chemically active substance is put on the electrodes, one interdigitated structure, the second structure is reference.



Physical parameters

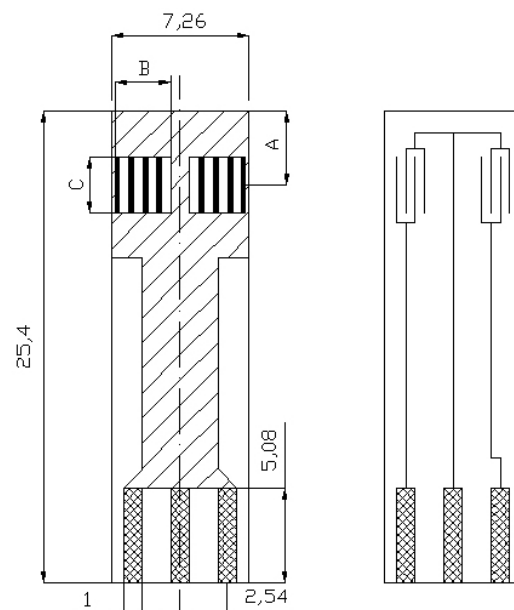
Dimensions:

Weight: 0.4 gms
 Length: 25.40 mm
 Width: 7.26 mm
 Thickness: 0.63 mm

A = 4.00 ± 0.05 mm

B = 3.00 ± 0.05 mm

C = 3.00 ± 0.05 mm

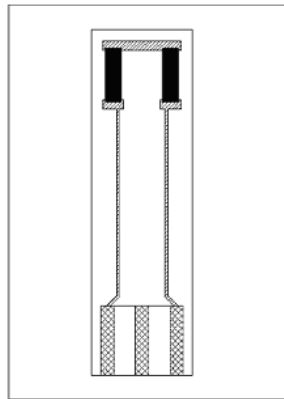


Electrode Materials are defined by:

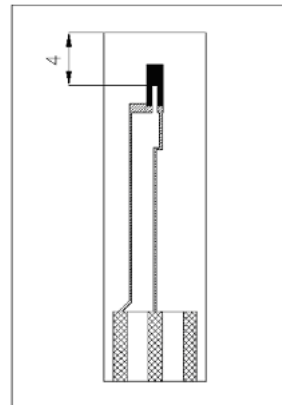
CC2.W* (*)

The asterisk is replaced by the appropriate number or letter.

C - Conductometric sensor	2 - Pure Platinum
C - Corundum ceramic base	3 - Pure Silver
2 - Sensor group reference number	4 - Graphite
W - Working electrode material	(*) - Additional Technical specification
S - Alloy of Gold and Platinum	H - Heating of the sensor
1 - Pure Gold	T - Temperature sensing element



CC1.W* (H)



CC1.W* (T)

Connector types for CC2 sensors range

	KA1	KA1C	KA1s	KA4
CC2.W*	✓	✓	✓	✓
CC2.W* (H)				✓
CC2.W* (T)				✓

Sensor Usage

This specific range of CC2 sensors enables the measurement of:

- Basic electrochemical and bio-electrochemical techniques
- Conductivity analysis
- Differential conductivity analysis

Software Packs

These are available for bipolar current pulse measurement

Related patents

- CZ-PV 2001-3227

Ordering Information

- The order is specified by whole sensor description formula
- Minimum order quantity - 25 sensors
- All order quantities are to be in multiples of 25 e.g. 25, 50, 75, etc.
- Delivery time for standard CC2 sensors is 4 weeks from receipt of order
- Delivery time for non-standard CC2 sensors depends on final technical specification of order

Example of Order

- 100 pieces - CC2.W2