

MINIATURE OXYGEN ELECTRODE

Type: OE.D*.E**

Description

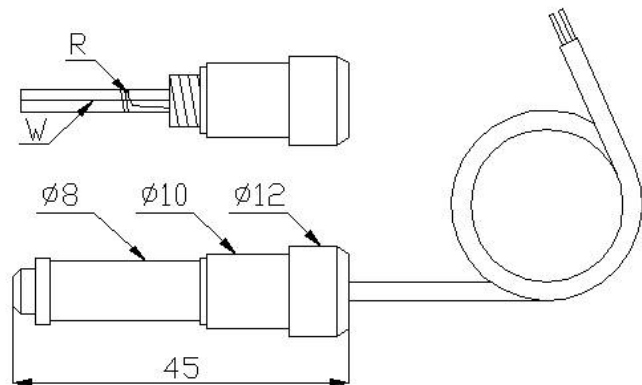
The miniature Oxygen electrode consists of a PEEK body, platinum electrode, silver reference electrode and membrane holder. The platinum electrode is melted in glass. The membrane holder with electrolyte is attached by thread. Oxygen electrode (OE) is designed for measurements with thermostated cell TC4, TC5, TC6.



Physical Parameters

Dimensions:

Length: 45 mm
 Diameter: 12 mm
 Weight: 50 gms



Software Packs

These are available for:

- Basic evaluation and monitoring of Oxygen

OE.D*.E** (Oxygen Electrode) - ordering formula:

O - Oxygen	E - Electrode ending
E - Electrode	S - Bare wire
D - Diameter	1 - Banana plug
1 - platinum wire, Φ 100 μ m	2 - 7 poles BVT connector
2 - platinum wire, Φ 600 μ m	3 - Triad 01 PalmInstruments
3 - platinum wire, Φ 1000 μ m	4 - BNC connector
4 - golden wire, Φ 20 μ m	5 - Small banana plugs

Electrode Usage

- Measurement of Oxygen
- Enzyme electrode based on consumption of Oxygen

Datasheet: OE.D*.E**

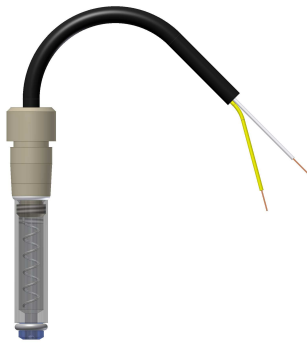
Ordering Information

- The order is specified by whole product code
- Minimum order quantity - 1 miniature Oxygen electrode
- Delivery time for standard OE miniature Oxygen electrode is 4 weeks from receipt of order
- Delivery time for non-standard OE miniature Oxygen electrode depends on final technical specification of order

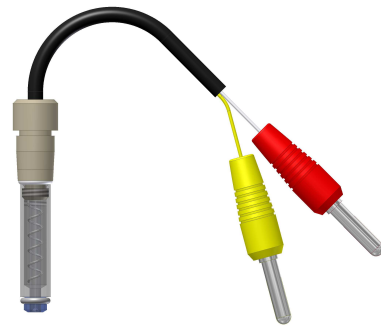
Example of Order - 20 pieces - OE.D1.E1

Internal Wiring

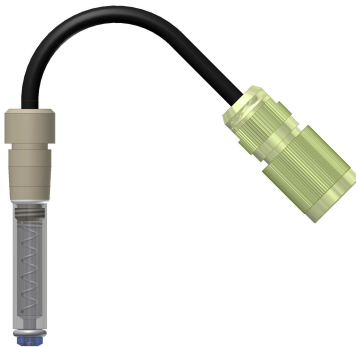
OE.D*.ES



OE.D*.E1



OE.D*.E2



OE.D*.E3



OE.D*.E4



OE.D*.E5

