

Mini Rotating Disk Electrode

Type: mini RDE





Description

Rotating disk electrode in general enables defined mass transfer towards electrode surface. Mini RDE consists of TC4 glass cell, the rotating disk electrode itself, control electronics and software. The device is powered by USB connection with PC. Side cell openings are suitable for connector KA1C.S for electrochemical sensor AC1 or classical minielectrodes WCE, ACE and RCE.

Mini RDE Parameters

Rotational speed: 10 - 2500 rpm

Electrode Materials are defined by Mini 1RDE.W* and 2RDE.W*

Mini 1RDE.W*		Mini 2RDE.W*	
Mini = Small size		Mini = small size	
1 = Wire in glass		2 = Screen printed electrode	
RDE = Rotating disc electrode		RDE = Rotating disc electrode	
W = Work electrode		W = Work electrode	
1 - Platinum		1 - Platinum	
		2 - Gold	
		3 - Cooper	
		4 - Glassy carbon	

Mini 1RDE.W*

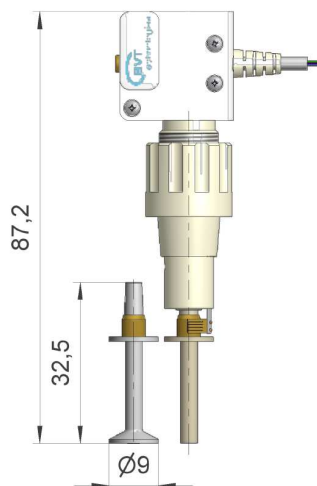
Diameter of working electrode: 2 mm

Mini 2RDE.W*

Diameter of working electrode: 2,5 mm

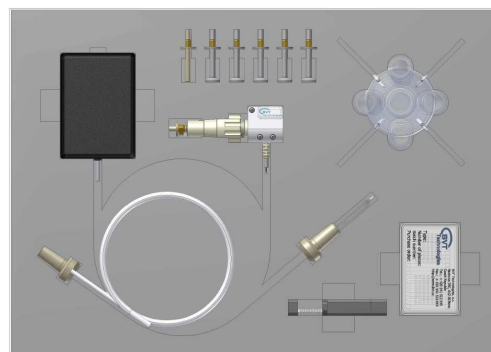
Glass Cell Parameters

Volume: 3 - 20 ml
 Optimal volume: 3 - 5 ml
 Length: 45 mm
 Height: 50 mm
 Width: 45 mm



Delivery Mini RDE contains

- Mini Rotating disk electrode - Mini RDE
- Control unit
- 1 piece of Pt wire in glass - 1RDE.W1
- 5 pieces of Screen printed RDE - 2RDE.W2
- Conical connector - KA1C.S
- Classical reference electrode - RCE
- Screen printed sensors - STK.RDE
- Electrochemical cell - TC4
- Take out tool
- Software
- USB cable
- Manual



Accessory equipment

1RDE.W1	Rotating disk electrode - wire in glass
2RDE.W*	Rotating disk electrode - screen printed electrode
KA1C.S	Conic connector for electrochemical sensors
STK.RDE	Starting kit - 10 type of electrochemical sensors
RCE, WCE, ACE	Reference, work, auxiliary classical electrode
AC1, AC2, AC4	Electrochemical sensors
TC4	Electrochemical cell
EmStat	PalmSens - potentiostat

Device Advantages

- Small size, low liquid volumes
- Low price of whole set and disposable electrodes too
- Easy connection and operation through USB connection to PC
- Can be connected to your potentiostat (Optional electrode connector type: bare wire, banana plug or BNC)

Ordering/Price Information

- Delivery time is 8 weeks from receipt of order
- Example of order: 1 piece mini RDE
 + Accessory equipment: 5 pieces 2RDE.W2 + 1 piece EmStat

