

Universal Stirrer for screen printed and classical electrodes

Type: ST1.*

Description

Universal stirrer ST1.* enables solution stirring in measurement with screen printed electrodes and classical electrodes. The construction of stirrer assures the optimum mass transport with minimum hydrodynamic noise. The supply voltage 3 V and current max 100 mA enable to use it as USB device.

The stirrer is manufactured with quality materials for chemical measurements. Revolutions range: 100 - 1000 rpm.



Physical Parameters

Dimensions:

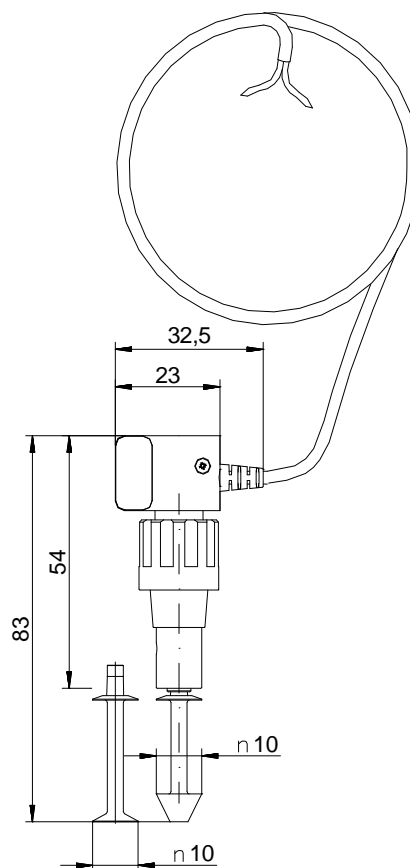
Weight: 36 gms
 Length: 83 mm
 Diameter: 23 mm

Delivery ST1 contains

- Universal stirrer
- 1 piece of PEEK Conical impeller
- 1 piece of PEEK Disk impeller

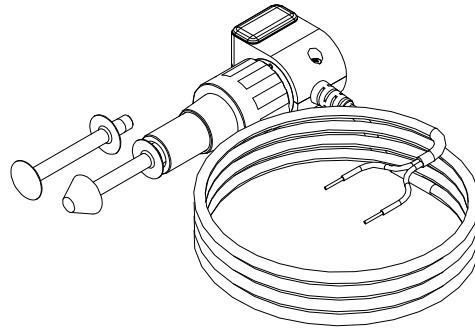
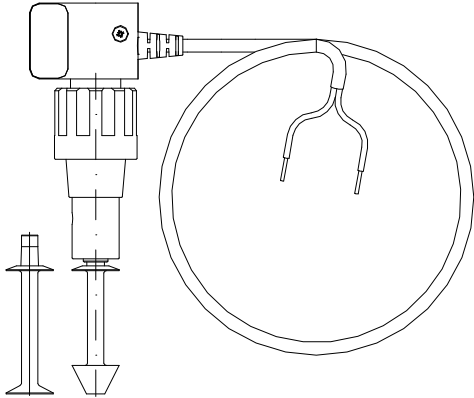
Types of termination

Model	Cable	Termination
ST1.S	Three core Shielded cable	Single conductors
ST1.1	Three core Shielded cable	Banana plugs
ST1.5	Three core Shielded cable	Mini banana plugs

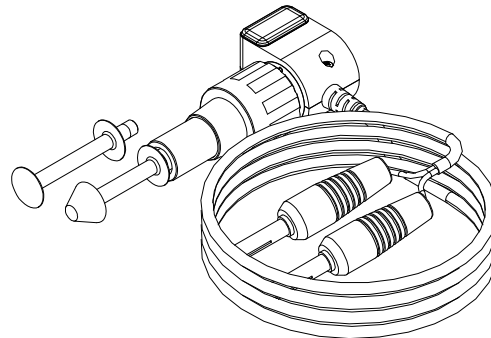
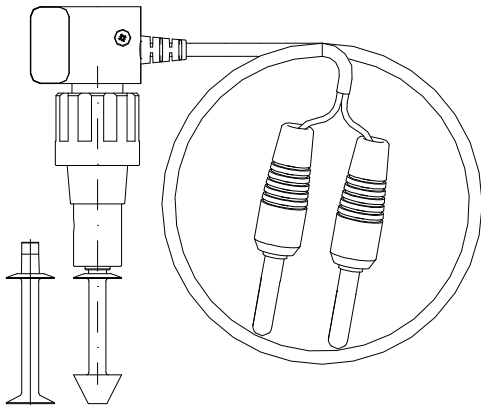


Internal Wiring

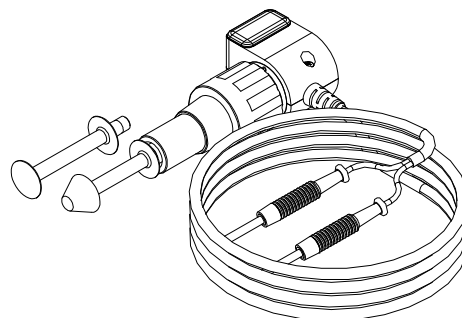
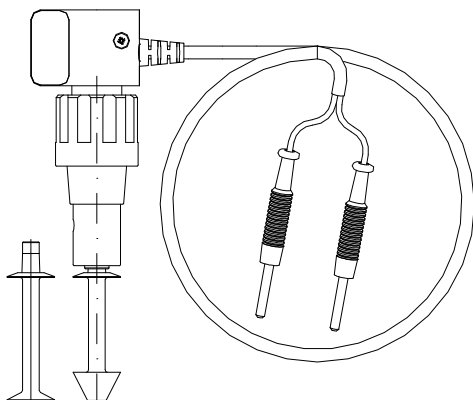
ST1.5 - Single conductors



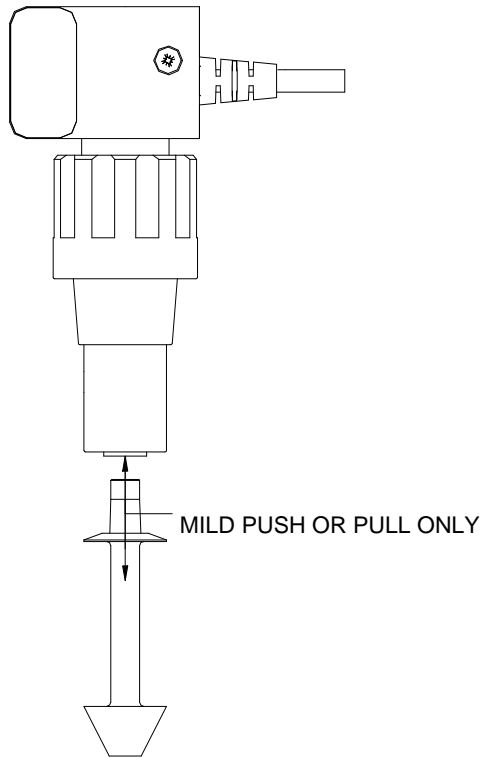
ST1.1 - Banana plugs 4 mm



ST1.5 - Banana plugs 2 mm

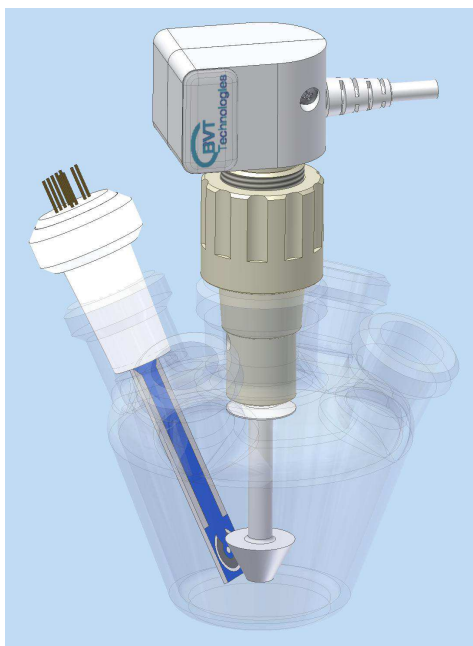


Instructions for insertion into the stirrer attachment



Hydrodynamics of stirring

- Screen printed electrodes



- Classical electrodes



Evaluating Units

- ST1.S - any potentiostat
- ST1.1 - any potentiostat

Recommended Vessel

TC4, TC5, TC6

Recommended connector

KA1C, KA2C

Recommended sensors

AC1.W*.R*
AC2.W*.R*
AC4.W*

Recommended classical electrode

WCE.W*.E*
RCE.R*.E*
ACE.E*
Paste electrode
Electrodes with salt bridge

Ordering information

- The order is specified by whole product code
- Minimum order quantity - 1 stirrer
- Delivery time for standard ST1.* connector is 4 weeks from receipt of order
- Delivery time for non-standard ST1.* connector depends on final technical specification of order

Example of Order

- 2 pieces ST1.S