

ELECTROCHEMICAL CELL

Type: TC4

Description

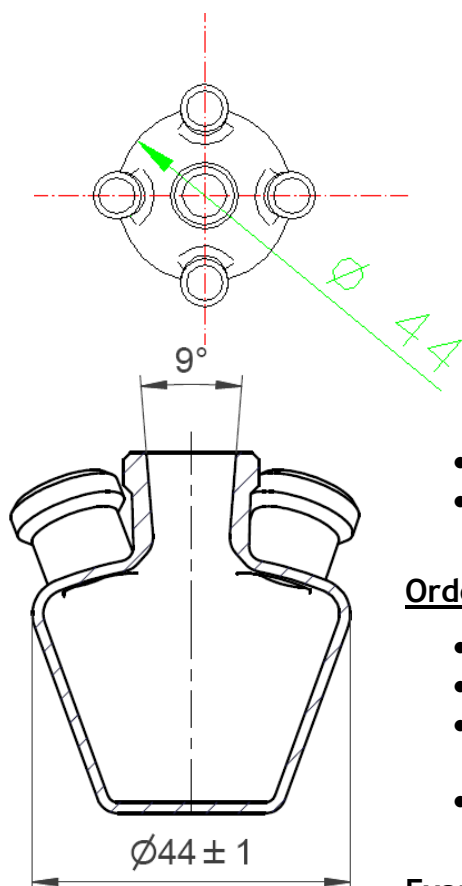
Simple glass cell serves for electrochemical measurements. The temperature of the analysed solution can be controlled when placing the cell in MT-1 thermostat. Cell openings are designed for electrochemical sensors connector KA1C and stirrer ST, ST1 separately.



Physical Parameters

Dimensions:

Weight: 32 gms
 Length: 45 mm
 Height: 50 mm
 Width: 45 mm



Technical Parameters

- Volume from 5 ml to 20 ml

Optional Equipment

- RCE, WCE, ACE - classical minielectrodes
- MT-1 - thermostat
- KA1C.*, KA2C.* - connector
- ST1, ST - stirrer
- AC1 - electrochemical sensors

Device Usage

- Electrochemical measurements
- Measurements with biosensors and electrochemical sensors

Ordering Information

- The order is specified by whole product code
- Minimum order quantity - 1 electrochemical cell
- Delivery time for standard TC4 is 4 weeks from receipt of order
- Delivery time for non-standard TC4 depends on final technical specification of order

Example of Order - 5 pieces - TC4