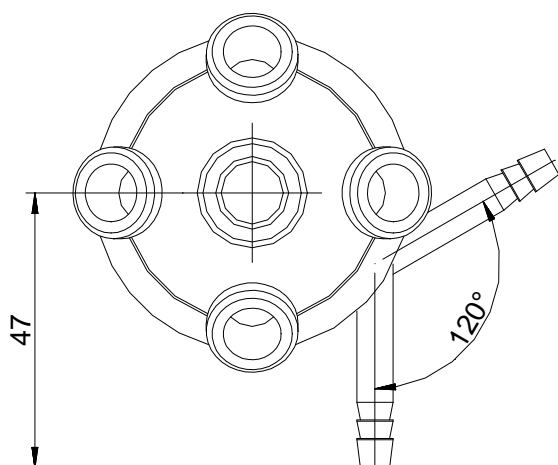


ELECTROCHEMICAL CELL

Type: TC5

Description

Glass cell serves for electrochemical measurements. The cell is jacketed. The analyzed solution can be thermostated by external thermostat. Cell openings are designed for stirrer ST, ST1, mini RDE and connector KA1C.* for electrochemical sensor AC1 or classical minielectrodes WCE, ACE and RCE.



Physical Parameters

Dimensions:

Weight: 71 gms
 Length: 54 mm
 Height: 56 mm

Technical Parameters

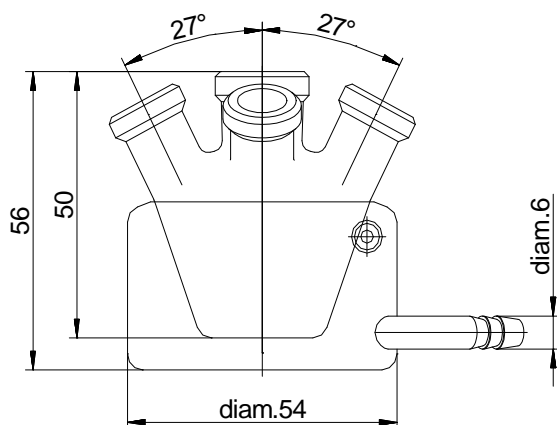
Volume from 3 ml to 20 ml

Optional Equipment

- ST1, ST - stirrer
- KA1C.*- connector
- AC1 - electrochemical sensors
- WCE, ACE, RCE - classical minielectrodes

Device Usage

- Electrochemical measurements
- Measurements with biosensors and electrochemical sensors



Ordering Information

- The order is specified by whole product code
- Minimum order quantity - 1 electrochemical cell
- Delivery time for standard TC5 is 4 weeks from receipt of order
- Delivery time for non-standard TC5 depends on final technical specification of order

Example of Order - 5 pieces - TC5